

# RP 155

# Modeling Guitar Processor



**DigTech**  
by HARMAN

# Owner's Manual

# Safety Information



**WARNING:** TO REDUCE THE RISK OF FIRE OR ELECTRIC SHOCK DO NOT EXPOSE THIS EQUIPMENT TO RAIN OR MOISTURE

The symbols shown above are internationally accepted symbols that warn of potential hazards with electrical products. The lightning flash with arrowpoint in an equilateral triangle means that there are dangerous voltages present within the unit. The exclamation point in an equilateral triangle indicates that it is necessary for the user to refer to the owner's manual.

These symbols warn that there are no user serviceable parts inside the unit. Do not open the unit. Do not attempt to service the unit yourself. Refer all servicing to qualified personnel. Opening the chassis for any reason will void the manufacturer's warranty. Do not get the unit wet. If liquid is spilled on the unit, shut it off immediately and take it to a dealer for service. Disconnect the unit during storms to prevent damage.

## ELECTROMAGNETIC COMPATIBILITY

This device complies with part 15 of the FCC Rules and the Product Specifications noted on the **Declaration of Conformity**. Operation is subject to the following two conditions:

- this device may not cause harmful interference, and
- this device must accept any interference received, including interference that may cause undesired operation.

Operation of this unit within significant electromagnetic fields should be avoided.

- use only shielded interconnecting cables.



If you want to dispose this product, do not mix it with general household waste. There is a separate collection system for used electronic products in accordance with legislation that requires proper treatment, recovery and recycling.

Private household in the 25 member states of the EU in Switzerland and Norway may return their used electronic products free of charge to designated collection facilities or to a retailer (if you purchase a similar new one).

For Countries not mentioned above, please contact your local authorities for a correct method of disposal. By doing so you will ensure that your disposed product undergoes the necessary treatment, recovery and recycling and thus prevent potential negative effects on the environment and human health.

## WARNING FOR YOUR PROTECTION READ THE FOLLOWING:

KEEP THESE INSTRUCTIONS

HEED ALL WARNINGS

FOLLOW ALL INSTRUCTIONS

THE APPARATUS SHALL NOT BE EXPOSED TO DRIPPING OR SPLASHING LIQUID AND NO OBJECT FILLED WITH LIQUID, SUCH AS VASES, SHALL BE PLACED ON THE APPARATUS

CLEAN ONLY WITH A DRY CLOTH.

DO NOT BLOCK ANY OF THE VENTILATION OPENINGS. INSTALL IN ACCORDANCE WITH THE MANUFACTURER'S INSTRUCTIONS.

DO NOT INSTALL NEAR ANY HEAT SOURCES SUCH AS RADIATORS, HEAT REGISTERS, STOVES, OR OTHER APPARATUS (INCLUDING AMPLIFIERS) THAT PRODUCE HEAT.

ONLY USE ATTACHMENTS/ACCESSORIES SPECIFIED BY THE MANUFACTURER.

UNPLUG THIS APPARATUS DURING LIGHTNING STORMS OR WHEN UNUSED FOR LONG PERIODS OF TIME.

Do not defeat the safety purpose of the polarized or grounding-type plug. A polarized plug has two blades with one wider than the other. A grounding type plug has two blades and a third grounding prong. The wide blade or third prong are provided for your safety. If the provided plug does not fit your outlet, consult an electrician for replacement of the obsolete outlet.

Protect the power cord from being walked on or pinched particularly at plugs, convenience receptacles, and the point where they exit from the apparatus.

Refer all servicing to qualified service personnel. Servicing is required when the apparatus has been damaged in any way, such as power-supply cord or plug is damaged, liquid has been spilled or objects have fallen into the apparatus, the apparatus has been exposed to rain or moisture, does not operate normally, or has been dropped.

**MAINS DISCONNECT:** The plug shall remain readily operable. For rack-mount or installation where plug is not accessible, an all-pole mains switch with a contact separation of at least 3 mm in each pole shall be incorporated into the electrical installation of the rack or building.

## DECLARATION OF CONFORMITY

Manufacturer's Name: DigiTech  
Manufacturer's Address: 8760 S. Sandy Parkway  
Sandy, Utah 84070, USA

declares that the product:

Product name: RP 155  
Product option: all (requires Class II power adapter that conforms to the requirements of EN60065, EN60742, or equivalent.)

conforms to the following Product Specifications:

Safety: IEC 60065 -01+Amd I  
EMC: EN 55022:2006  
EN 55024:1998  
FCC Part 15

Supplementary Information:

The product herewith complies with the requirements of the:  
Low Voltage Directive 2006/95/EC  
EMC Directive 2004/108/EC.  
RoHS Directive 2002/95/EC  
WEEE Directive 2002/96/EC

With regard to Directive 2005/32/EC and EC Regulation 1275/2008 of 17 December 2008, this product is designed, produced, and classified as Professional Audio Equipment and thus is exempt from this Directive.

With regard to Directive 2005/32/EC and EC Regulation 278/2009 of 6 April 2009, this regulation applies to Class A (single output) external power supplies. The external power supply used with this product is a multi-output power supply and thus is exempt from this Directive.

Roger Johnsen  
Vice-President of Engineering  
8760 S. Sandy Parkway  
Sandy, Utah 84070, USA  
Date: January 12, 2011

European Contact: Your local DigiTech Sales and Service Office or

Harman Music Group  
8760 South Sandy Parkway  
Sandy, Utah  
84070 USA  
Ph: (801) 566-8800  
Fax: (801) 568-7583

## Table of Contents

### Section One - Introduction

Getting Acquainted.....	1
Included Items .....	1
About the RPI55.....	2
Performance Mode.....	2
Bypass Mode.....	2
Tuner Mode.....	2
Tone Library Knob.....	4
Effects Library Knob.....	4
Master Level Knob.....	4
X-Edit™ Editor/Librarian.....	4
Presets.....	5
A Guided Tour of the RPI55.....	6
Front Panel.....	6
Rear Panel.....	10
Getting Started.....	12
Making Connections.....	12
Mono Operation - Amplifier.....	12
Stereo Operation.....	13
Applying Power.....	15

### Section Two - Editing Functions

Editing/Creating Presets.....	16
Storing/Copying a Preset.....	18

### Section Three - Models and Parameters

About the Models.....	19
Model Definitions.....	20
Pickup.....	20
Wah.....	20
Compressor.....	21
Distortion.....	22
Amplifier.....	24
Cabinet.....	25
EQ.....	25
Noise Gate.....	26
Chorus/FX.....	27
Chorus.....	27
Flanger.....	28
Phaser.....	28
Vibrato.....	29
Rotary Speaker.....	29
Tremolo.....	29
Panner.....	30
Envelope Filter.....	30
Auto Ya™.....	30
Step Filter.....	31
DigiTech Whammy™.....	31
Pitch Shift.....	32
Detune.....	32
Harmony Pitch Shifting.....	33
Delay.....	34
Reverb.....	35

## **Section Four - Other Functions**

Phrase Looper .....	36
Drum Machine.....	37
Optional Passive Volume/ Continuous Control Pedal.....	38
Factory Reset.....	38

## **Section Five - Appendix**

Specifications.....	39
Tone Library.....	41
Effects Library .....	42

---

## Warranty

We at **DigiTech**<sup>®</sup> are very proud of our products and back up each one we sell with the following warranty:

1. The warranty registration card must be mailed within ten days after purchase date to validate this warranty.
2. DigiTech warrants this product, when used solely within the U.S., to be free from defects in materials and workmanship under normal use and service.
3. DigiTech liability under this warranty is limited to repairing or replacing defective materials that show evidence of defect, provided the product is returned to DigiTech WITH RETURN AUTHORIZATION, where all parts and labor will be covered up to a period of one year. A Return Authorization number may be obtained from DigiTech by telephone. The company shall not be liable for any consequential damage as a result of the product's use in any circuit or assembly.
4. Proof-of-purchase is considered to be the burden of the consumer.
5. DigiTech reserves the right to make changes in design, or make additions to, or improvements upon this product without incurring any obligation to install the same on products previously manufactured.
6. The consumer forfeits the benefits of this warranty if the product's main assembly is opened and tampered with by anyone other than a certified DigiTech technician or, if the product is used with AC voltages outside of the range suggested by the manufacturer.
7. The foregoing is in lieu of all other warranties, expressed or implied, and DigiTech neither assumes nor authorizes any person to assume any obligation or liability in connection with the sale of this product. In no event shall DigiTech or its dealers be liable for special or consequential damages or from any delay in the performance of this warranty due to causes beyond their control.

**NOTE:** The information contained in this manual is subject to change at any time without notification. Some information contained in this manual may also be inaccurate due to undocumented changes in the product or operating system since this version of the manual was completed. The information contained in this version of the owner's manual supersedes all previous versions.

---

## Section I - Introduction

### ***Getting Acquainted***

Congratulations on your purchase of the RP155. You now have an incredibly advanced modeling guitar processor that can keep up with your creative impulses and even increase them. Armed with DigiTech®'s patented AudioDNA2® custom audio DSP chip, the RP155 gives you a huge selection of tones and effects, right at your fingertips. When you easily dial up a tone or effect from the Tone Library or the Effects Library, you'll appreciate the accuracy in each model, and the dynamic interaction in each tone. Add USB support for computer recording, a Phrase Looper and a built-in drum machine and you have the RP155: the key to unlock your creative potential.

### ***Included Items***

Before you get started, please make sure that the following items have been included:

- **RP155**
- **PS0913B Power Supply**
- **Warranty Card**

The utmost care was taken while your RP155 was being manufactured. Everything should be included and in perfect working order. If anything is missing, contact the factory at once. Please help us become acquainted with you and your needs by completing your warranty card or registering online at [www.digitech.com](http://www.digitech.com). It is your safeguard should a problem arise with your RP155.

**Disclaimer:** DigiTech, Lexicon, Whammy, YaYa, AutoYa, and Johnson Amplification are trademarks of Harman International Industries, Inc. Other product names modeled in this product are trademarks of their respective companies that do not endorse and are not associated or affiliated with DigiTech or Harman International Industries, Inc. They are trademarks of other manufacturers and were used merely to identify products whose sounds were reviewed in the creation of this product.

---

## About the RPI55

### Performance Mode

When you first apply power to the RPI55, it powers up in Performance mode. Performance mode provides access to all of the presets within the RPI55 via the **Up** and **Down Footswitches**.

**Knob 1** selects a tone from the Tone Library, **Knob 2** selects an effect combination from the Effects Library, **Knob 3** adjusts the Effects Level, and **Knob 4** adjusts the Master Level (volume).

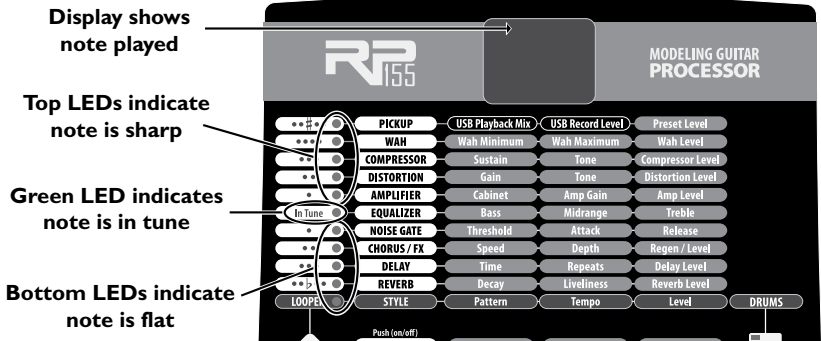
### Bypass Mode

The RPI55 presets can be bypassed via a true analog bypass circuit for a clean, unprocessed guitar signal. To bypass the RPI55, press both **Footswitches** simultaneously. The Display reads *B<sup>Y</sup>* indicating the preset is bypassed. Press either **Footswitch** to exit Bypass and return the RPI55 to the last preset used.

### Tuner Mode

The Tuner in the RPI55 allows you to quickly tune or check the tuning on your guitar. Enter Tuner mode by pressing and holding both **Footswitches** simultaneously. The Display briefly shows *TU* indicating that you are in Tuner mode. To begin tuning, play a note on your guitar (a harmonic at the 12th fret usually works best). The Display shows the note being played. The Matrix LEDs indicate whether you are sharp or flat. The top 5 red LEDs indicate the note is sharp and should be tuned down. The bottom 5 red LEDs indicate the note is flat and should be tuned up. The center green LED indicates the note is in tune. The output is muted in Tuner mode. Exit tuner mode by pressing either **Footswitch**.





In Tuner mode, you can change your Tuning reference. The default factory setting is A=440 Hz (displayed as  $440$ ). Rotating **Knob 1** selects alternate and dropped tunings. Alternate tunings are A=453Hz to A=427 Hz (displayed as  $53$  to  $27$ ). Dropped tunings are A=A flat (displayed as  $A\flat$ ), A=G (displayed as  $G$ ), and A=G flat (displayed as  $G\flat$ ). The display window will briefly flash the currently selected tuning preference.

Exit Tuner mode by pressing either **Footswitch**.

---

### ***Tone Library Knob***

In Performance mode, this knob selects a variety of genre-based amp tone defaults ranging from Blues to Metal to Country. Behind the scenes, the Compressor, Distortion, Amp/Cabinet model, and EQ are configured to create a specified tone with a single click of this knob. You can further refine the sound by editing the preset (see *Editing/Creating Presets* on page 16). Changing between different Tone Library defaults does not change the Chorus/FX, Delay or Reverb, letting you experiment with different amp styles quickly in the context of the current effect chain.

### ***Effects Library Knob***

In Performance mode, this knob selects a variety of post-amplifier model effect chains (Chorus, Chorus + Delay, Delay + Reverb, etc.). You can further refine the sound by editing the preset (see *Editing/Creating Presets* on page 16). Changing between different Effects Library defaults does not change the Compressor, Distortion, Amp/Cabinet model, and EQ settings, letting you experiment with different effect chains quickly in the context of the current amp tone.

### ***Effects Level Knob***

In Performance mode, this knob changes the relative level of the post-amp effects (Chorus/FX, Delay, and Reverb). This can be thought of as an effects mix control, where turning this knob clockwise increases the level of these effects and turning it counter-clockwise decreases the level of these effects.

### ***Master Level Knob***

This knob controls the overall output volume of all of the RP155's presets.

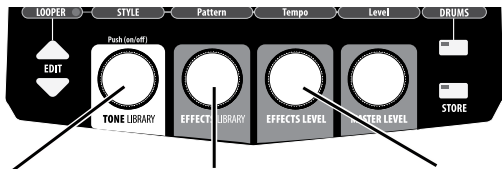
### ***X-Edit™ Editor/Librarian***

You can edit your RP155 with your computer, using the X-Edit™ Editor/Librarian. Download X-Edit™, USB drivers, and documentation from [www.digitech.com](http://www.digitech.com).

## Presets

Presets are named and numbered locations of programmed sounds which reside in the RPI55. Presets are recalled with the Footswitches. The active effects in each preset are indicated by lighted LEDs in the Effect Matrix. The RPI55 comes with 50 User presets (1-50) and 50 Factory presets (51-00). The User presets are locations where your creations may be stored. The Factory presets do not allow you to store any changes to them. From the factory, the 50 User presets are exact duplicates of the 50 Factory presets. This allows you to create your own presets without losing the sounds that came with the RPI55.

**The Tone Library knob, Effects Library knob, and Effects Level knob make it easy to quickly load preset tones, effects, and effects chains.**



**1. Select a tone  
with the  
Tone Library knob**

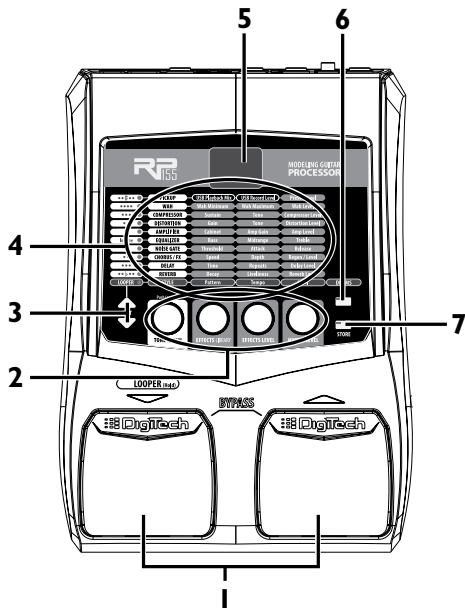
**2. Select an effect  
or effects chain with the  
Effects Library knob**

**3. Adjust the  
effects level with the  
Effects Level knob**

**To learn about storing changes to presets, see page 18.**

# A Guided Tour of the RP155

## Front Panel



---

## **1. Footswitches**

These two Footswitches are used to select presets, access the Tuner, enable the Phrase Looper, and Bypass the RPI55. The Footswitch on the right will select the next preset up, and the Footswitch on the left will select the next preset down. Pressing both Footswitches together will bypass the currently selected preset. Pressing and holding the Left Footswitch will enable and disable the Phrase Looper. Pressing and holding both Footswitches for 2 seconds will access the Tuner. Press either Footswitch to exit Bypass or Tuner mode.

## **2. Knobs 1-4**

These four knobs perform various functions, depending on which mode is currently active and what (if anything) is being edited. The functions are listed below:

### **Tone Library Knob (Knob 1)**

1. In Performance mode, this knob selects from a library of pre-programmed amp tones. (See page 41 for a list of preset amp tones.)
2. When editing a preset, this knob changes the Amp or Effect model for the selected row.
3. When editing an Effect row, press this knob to turn on or bypass the effect.
4. When the Drums row is selected, this knob selects the first pattern of each style (Rock, Blues, Jazz, etc.).

### **Effects Library Knob (Knob 2)**

1. In Performance mode, this knob selects from a library of pre-programmed effect configurations. (See page 42 for a list of preset effect configurations.)
2. When editing a preset, this knob modifies the parameter listed in the column directly above it for the selected Effect row.
3. When the Drums row is selected, this knob selects the different drum patterns available.

---

### **Effects Level Knob (Knob 3)**

1. In Performance mode, this knob adjusts the overall level of post amp model effects (Chorus/Mod, Delay, and Reverb).
2. When editing a preset, this knob modifies the parameter listed in the column directly above it for the selected Effect row.
3. When the Drums row is selected, this knob adjusts the playback Tempo of the drum machine.

### **Master Volume Knob (Knob 4)**

1. In Performance mode, this knob adjusts the output level of the RP155.
2. When editing a preset, this knob modifies the parameter listed in the column directly above it for the selected Effect row.
3. When the Drums row is selected, this knob adjusts the drum machine playback level.

### **3. Edit buttons**

These buttons navigate up and down the matrix, selecting the row of parameters which the knobs will edit. Press one of these buttons to step through the Effect rows, and return to the preset name display. See page 16 for more information about editing presets.

### **4. Matrix**

The matrix provides information regarding the current preset and parameter edit functions. In Performance mode, the LEDs running down the left side of the Matrix provide a visual indication of which effects are in use for the currently selected preset. While editing a preset, the LEDs indicate the Effect row currently selected for editing. In Tuner mode, the LEDs indicate whether the note played is sharp, flat, or in tune.

---

## 5. Display

The Display provides information for different functions depending on the mode that has been selected. In Performance mode, the Display will show the currently selected preset number. In Edit mode, the Display will show the value of the parameter being adjusted. In Tuner mode, the Display will show the note played.

## 6. Drums

The Drums button is used to turn on and off the RP155's built-in drum machine. When the Drums button is turned on, the Drums button LED lights and the selected drum pattern plays continuously. Select the Drums row using the **Edit** buttons and use **Knobs 1-4** to change the style, pattern, tempo, and level of the drum machine. See page 37 for more information about the drum machine and a list of patterns.

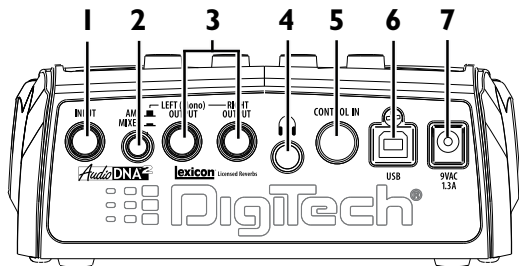
**Note:** The RP155's Drum Machine is not available when the Phrase Looper is active.

## 7. Store

The Store button is used to save your custom edits to the user presets. See page 18 for more information about storing presets.

---

## Rear Panel



### 1. Input

Connect your instrument to this high-impedance TS input.

### 2. Amp / Mixer

This button optimizes the RPI55's outputs for use when plugged into a guitar amp or a mixer/recording device. When set to Mixer ("In" position), the outputs are optimized for connecting to a mixer, recording device or headphones. When set to Amp ("Out" position), the outputs are optimized for running directly in to the input of a guitar amp.

### 3. Left (Mono) and Right Outputs

Connect the Left (Mono) output to the input of a single amplifier (or mixer input) for mono operation. Connect the Left and Right outputs to the inputs of 2 amplifiers (or 2 mixer channels) for stereo operation.



---

#### **4. Headphones**

Connect a pair of stereo headphones to this 1/8" jack. For proper frequency response, the Amp/Mixer switch should be set to Mixer ("in" position) when using headphones. Headphones with an impedance of 100 Ohms or less are recommended.

**Note:** The Headphones output can have either a mono or stereo signal, depending on what 1/4" outputs are connected. If neither (or both) 1/4" outputs are connected, the Headphones output will be in stereo. If a cable is connected to the Left (Mono) 1/4" output only, the Headphones output will be in mono.

#### **5. Control In**

You can connect a passive volume or continuous control pedal to this 1/4" jack to control the a Wah and/or the Whammy™ when either or both of those effects are turned on. When neither Wah nor Whammy is turned on, the pedal controls the RPI55's volume by default.

#### **6. USB Jack**

The USB jack connects the RPI55 to a computer and provides two purposes. First it is used to provide communication between the RPI55 and the X-Edit™ Editor/Librarian software. Second, it is used to stream four channels of audio (2 up / 2 back) to and from the computer when using the RPI55 to record via any DAW recording application. **Knobs 2 and 3** also control the direct/playback mix and USB record level when USB is connected and the Pickup Row is selected.

**Note:** You can download the X-Edit Editor/Librarian software and USB drivers at [www.digitech.com](http://www.digitech.com).

#### **7. Power Input**

Connect only the DigiTech® PS0913B power supply to this jack.

---

# Getting Started

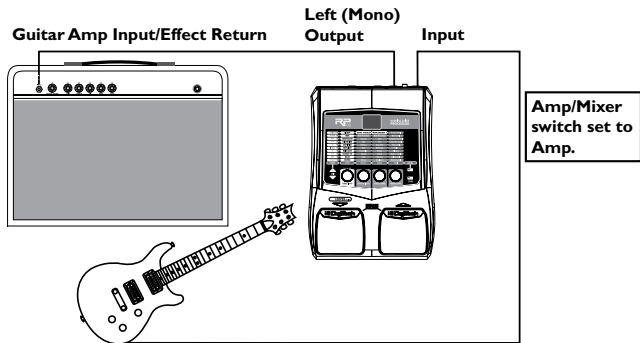
## Making Connections

There are several different connection options available with the RPI55. Before connecting the RPI55, make sure that the power to your amplifier and the RPI55 is turned off. There is no power switch on the RPI55. To turn the RPI55 on or off, connect or disconnect the included PS0913B power supply from the **Power Input** jack.

### Mono Operation - Amplifier

Connect your guitar to the **Input** of the RPI55. Connect a single mono instrument cable from the **Left (Mono) Output** of the RPI55 to the instrument input or effect return on your amplifier. Set the **Amp/Mixer** switch to **Amp**.

**NOTE:** When using a guitar amp, it may be best to connect the Output of the RPI55 to the effect return of the amplifier.

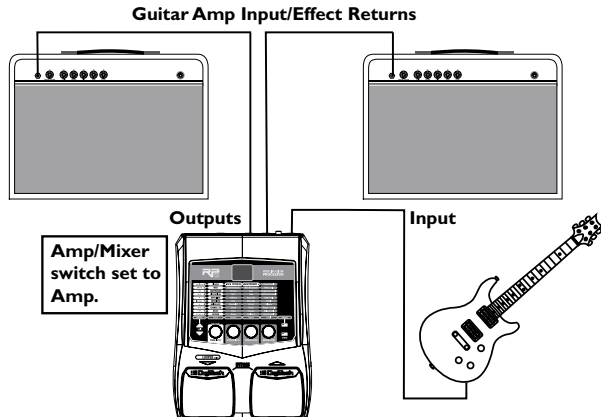


---

## Stereo Operation

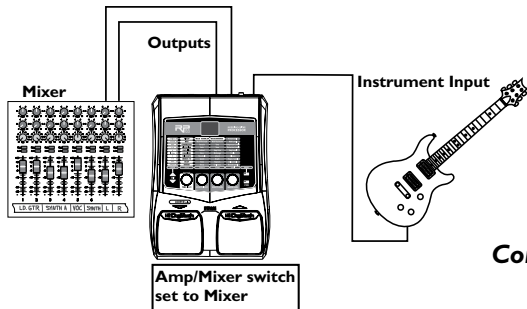
For stereo operation connect the guitar to the **Input** of the RP155. Connect one cable to the RP155's **Left (Mono)** output, and another cable to the RP155's **Right** output. Connect one cable to the input of one amplifier, channel of a mixer, or power amp. Connect the second cable to a second amplifier, second channel of a mixer, or power amp. If connecting to a mixing console, set the pan controls of the mixer channels hard left and right in order to retain stereo separation. If connecting to a mixer, set the **Amp/Mixer** switch to Mixer. If connecting to two amplifiers, set the **Amp/Mixer** switch to Amp.

## Stereo Amp Setup

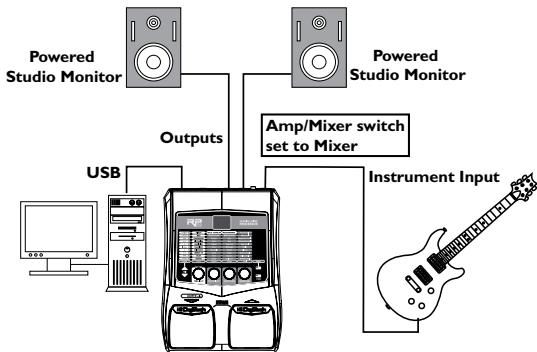


**NOTE:** When using a guitar amp, it may be best to connect the Output of the RP155 to the effect return of the amplifier.

## Stereo Mixer Setup



## Computer Recording Setup

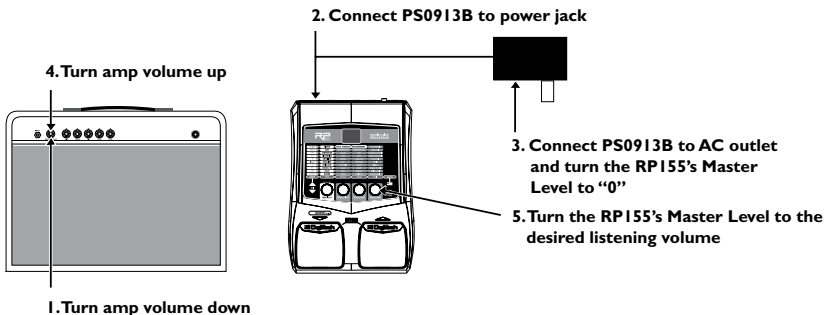


---

## Applying Power

Before applying power to anything, set your amp(s) to a clean tone and set the tone controls to a flat EQ response (on most amps, this would be 0 or 5 on the tone controls). Then follow the steps listed below.

1. Turn the amp volume all the way down.
2. Connect the plug of the PS0913B power supply to the power jack on the rear panel of the RPI55.
3. Connect the other end of the PS0913B power supply to an AC outlet. Turn the RPI55's **Master Level** knob (**Knob 4**) down to "0".
4. Turn the power of your amplifier(s) to the on position and adjust the volume(s) to a normal playing level.
5. Gradually increase the RPI55's **Master Level** knob to achieve the desired volume.



---

## Section Two - Editing Functions

### *Editing/Creating Presets*

The RPI55 is designed to make preset editing and creation easy and intuitive. When creating your own sound, you must first start with an existing preset. Note that the preset you begin with doesn't have to be in the memory location you intend to have it reside, since you can store it to any User preset location during the store procedure.

The easiest way to start is by using the **Tone Library** and **Effects Library** knobs. The **Tone Library** knob will let you select from a variety of pre-programmed amp/distortion tones (see page 41) based on different musical styles. The **Effects Library** knob will then let you select from a palette of effects chains (see page 42), from simple delays to full multi-effect signals with modulation, delay and reverb. Use the **Effects Level Knob** to easily increase or decrease the Chorus/FX, Delay and Reverb levels if desired. Using these three controls should get you close to a sound you are after. From there you can then use the **Edit** buttons to navigate through the individual effects for some fine tune edits.

---

To edit and create a custom preset:

1. Use the **Footswitches** to select the preset you wish to edit. If you are trying to find something different from the existing presets, begin by using the **Tone Library**, **Effects Library**, and **Effects Level** knobs to get close to a sound you want.
2. Once you have a sound close to what you are after, begin editing the effect parameters by pressing the **Edit Up/Down** buttons and selecting the Effect row you want to edit.
3. To turn on or off an Effect row, press **Knob 1** and then use **Knobs 2-4** to modify the effects parameter settings.

Anytime a stored value within a preset is changed, the **Store** button LED lights up. This indicates that you need to store the changes. Changing presets, or turning the power off before storing any changes erases any edits made and the RPI55 will revert to the stored values for the preset.

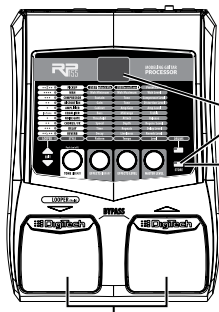
---

## Storing/Copying a Preset

Once the preset has been modified to your liking, you may store your settings to any of the 50 User preset locations (presets 1-50). The following steps outline the procedure for storing changes to a preset or copying a preset to a different location:

1. Press the **Store** button once and the current Preset location will flash in the **Display**. This is asking you to select a new User Preset location where your new sound will reside.
2. If desired, select a new User Preset location using the **Footswitches**.
- 3 Press the **Store** button again to save the changes.

The procedure for copying one Preset to another Preset location is the same. Simply use the **Footswitches** to select the Preset that you want to copy, then follow the steps listed above.



1. Press the Store button;  
the Preset number flashes.

3. Press the Store button  
again to save your changes.

2. Select a destination  
with the Footswitches.

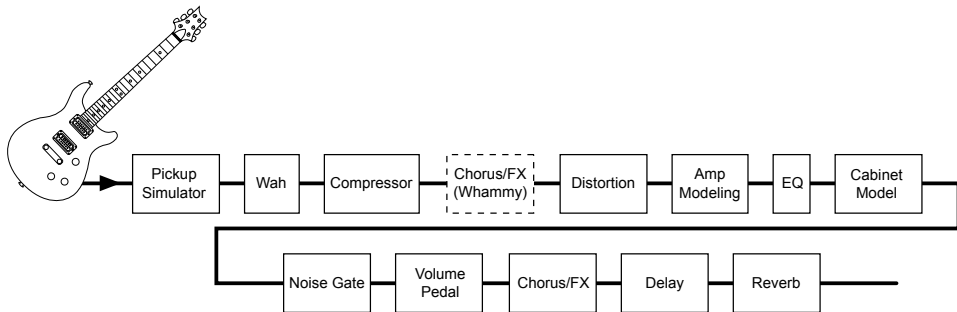


---

## Section Three - Models and Parameters

### *About the Models*

The RPI55 can be thought of as several different “virtual” amplifiers and individual, high-tech stompboxes in a single programmable package. With stompboxes, the order in which they are connected affects the overall sound. The RPI55 has placed the Amp and Effect models in an order for optimum results. The following diagram shows the order in which they are connected.



---

## Model Definitions

Each Amp and Effect model within the RPI55 can be programmed to suit your personal taste and application. Understanding how these components alter the sound, and how each parameter alters the effect, will help you achieve the sound you are looking for. The following overview of the RPI55's effects outlines what each effect and parameter does.

### Pickup

The **Pickup Simulator** provides the thick tone of a humbucker pickup to a guitar with single coil pickups, or the bright, edgy sound of a single coil pickup to a guitar with a humbucker. This gives you the best of both worlds without having to change guitars during a performance.

**Pickup Model - Knob 1** selects the Pickup model to be simulated. Values include: *SH* (gives a single coil pickup the warm tone of a humbucker), and *HS* (gives a humbucker the unique sound of a single coil). Press this knob to turn Pickup modeling on and off.

**Preset Level - Knob 4** adjusts the volume level for each preset individually.

### Wah

**Wah** is an effect controlled by an Expression Pedal making the guitar sound as if it's saying "Wah."

**Wah Model - Knob 1** selects the Wah model. Values include: *FR* (DigiTech® Full Range Wah sweeps the entire spectrum of audible frequencies), *CB* (Cry Wah is a traditional sounding Wah), and *MC* (based on a Vox® Clyde McCoy™ Wah). Press this knob to turn Wah models on and off.

**Wah Minimum - Knob 2** adjusts the Wah Pedal Minimum. Ranges from *0* (toe up) to *99* (toe down).

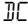

**Wah Maximum - Knob 3** adjusts the Wah Pedal Maximum. Ranges from *0* (toe up) to *99* (toe down).

**Wah Level - Knob 4** adjusts the Wah Level. Ranges from 0dB to +12dB.

---

## Compressor

A **Compressor** is used to increase sustain, tighten up guitars, and prevent the signal from clipping the input of other effects. It sets a maximum boundary for the strength of a signal.

**Comp Model - Knob 1** selects one of two Compressor models:  (DigiTech® Main Squeeze Compressor) or  (Based on a Boss® CS-2 Compressor/Sustainer). Press this knob to turn the selected Compressor models on and off.

**Sustain - Knob 2** adjusts the amount of sustain. Ranges from 0 to 99.

**Tone/Attack - Knob 3** adjusts the tone for the DigiTech Compressor, or attack for the Boss CS-2. Ranges from 0 to 99.

**Compressor Level - Knob 4** adjusts the Level from the Compressor. Ranges from 0 to 99.

**Attack (X-Edit™ only for DigiComp) - Knob 4** adjusts the amount of time the Compressor takes to respond to a signal that exceeds the threshold. Ranges from 0 to 99.

---

## **Distortion**

The RP155 models the tones of 10 popular distortion stompboxes, each of which can be tweaked and modified, just like the real thing.

**Distortion Model - Knob 1** selects one of 4 Distortion models. Press this knob to turn the selected Distortion model on and off.

*TS* - Based on an Ibanez® TS-9

*TB* - Based on an Ibanez® TS-808

*OP* - Based on a DOD® 250 Overdrive/Preamp

*RT* - Based on a Pro Co RAT™

*DS* - Based on a Boss® DS-1™ Distortion

*GR* - DigiTech® Grunge

*MZ* - Based on a Boss MT-2 Metal Zone®

*RM* - Based on a DOD Gonkulator Ring Mod

*FF* - Based on an Arbiter® Fuzz Face™

*BM* - Based on an Electro-Harmonix® Big Muff Pi®

DigiTech and DOD are trademarks of Harman International Industries, Inc. Other product names modeled in this product are trademarks of their respective companies that do not endorse and are not associated or affiliated with DigiTech or Harman International Industries, Inc. They are trademarks of other manufacturers and were used merely to identify products whose sounds were reviewed in the creation of this product.

Knobs 2, 3, and 4 have the following functions for the various Distortion models:

<b>Distortion Model</b>	<b>Knob 2 (Gain)</b>	<b>Knob 3 (Tone)</b>	<b>Knob 4 (Level)</b>	<b>P4 (X-Edit™ only)</b>	<b>P5 (X-Edit only)</b>	<b>P6 (X-Edit only)</b>
<i>TS</i>	Drive	Tone	Level	--	--	--
<i>TB</i>	Drive	Tone	Level	--	--	--
<i>OP</i>	Gain	--	Level	--	--	--
<i>RT</i>	Distortion	Filter	Level	--	--	--
<i>BS</i>	Gain	Tone	Level	--	--	--
<i>GR</i>	Grunge	Face	Loud	Butt	--	--
<i>MZ</i>	Gain	Mid Level	Level	Low	Mid Freq	High
<i>RM</i>	Gunk (Dist Gain)	Smear (Ring Mod Level)	Suck (Dist Level)	Heave (Output Lvl)	--	--
<i>FF</i>	Fuzz	--	Volume	--	--	--
<i>BM</i>	Sustain	Tone	Volume	--	--	--

---

## Amplifier

**Amp Modeling** is a technology which applies the tone of several popular modern and vintage amps. Amp Modeling also includes an acoustic guitar simulation.

**Amp Model - Knob I** selects one of the classic, modern, and DigiTech custom Amp models. Press this knob to turn Amp and Cabinet modeling on and off. Note that when you select an Amp model, the default Cabinet model is automatically selected. You can, however, change the Cabinet model after selecting an Amp model.

**CH** - Based on a '57 Fender® Tweed Champ®

**TD** - Based on a '57 Fender Tweed Deluxe

**TB** - Based on a '59 Fender Tweed Bassman®

**TR** - Based on a '65 Fender Blackface Twin Reverb®

**DR** - Based on a '65 Fender Blackface Deluxe Reverb®

**SL** - Based on a '68 Marshall® 100 Watt Super Lead (plexi)

**MV** - Based on a '77 Marshall Master Volume

**80** - Based on a '83 Marshall JCM800

**90** - Based on a '93 Marshall JCM900

**AS** - Based on a '62 Vox AC15

**AC** - Based on a '63 Vox AC30 Top Boost

**HW** - Based on a '69 Hiwatt® Custom 100

**MB** - Based on a '81 Mesa Boogie® Mark II C

**RC** - Based on a '01 Mesa Boogie Dual Rectifier

**HC** - Based on a '96 Matchless™ HC30

**DS** - DigiTech® Solo

**DM** - DigiTech Metal

**DG** - DigiTech High Gain

**DB** - DigiTech Bright Clean

**DC** - DigiTech Clean Tube

**DA** - Dreadnaught acoustic

**DI** - Direct (No Amp Model)

DigiTech is a trademark of Harman International Industries, Inc. Other product names modeled in this product are trademarks of their respective companies that do not endorse and are not associated or affiliated with DigiTech or Harman International Industries, Inc. They are trademarks of other manufacturers and were used merely to identify products whose sounds were reviewed in the creation of this product.

---

**Cabinet - Knob 2** selects the speaker Cabinet model.

**T D** - Based on a 1x12 '57 Fender® Tweed Deluxe®

**TR** - Based on a 2x12 '65 Fender Blackface Twin Reverb®

**AC** - Based on a 2x12 '63 Vox® AC30 Top Boost w/ Jensen® Blue Backs

**T B** - Based on a 4x10 '59 Fender Tweed Bassman®

**CL** - Based on a 4x12 Marshall® 1969 Straight w/ Celestion® G12-T70

**V T** - Based on a 4x12 Johnson® Straight w/ Celestion Vintage 30's

**D S** - 4x12 DigiTech® Solo

**D B** - 2x12 DigiTech Bright

**D M** - 4x12 DigiTech Metal

**D R** - 4x12 DigiTech Rock

**D A** - 4x12 DigiTech Alt Rock

**D V** - 4x12 DigiTech Vintage

**D I** - Direct (No cabinet model)

DigiTech and Johnson Amplification are trademarks of Harman International Industries, Inc. Other product names modeled in this product are trademarks of their respective companies that do not endorse and are not associated or affiliated with Digi-Tech or Harman International Industries, Inc. They are trademarks of other manufacturers and were used merely to identify products whose sounds were reviewed in the creation of this product.

**Amp Gain - Knob 3** adjusts the Gain (distortion) for the selected Amp model (not available for Acoustic or Direct). The Gain parameter ranges from 0 to 99.

**Amp Level - Knob 4** adjusts the Level (volume) of the selected Amp model. The Level parameter ranges from 0 to 99.

## EQ

The RPI55's EQ helps further shape your tone with Bass, Midrange, and Treble controls. To help get you started, there are four preset EQ curves: Mid Boost (**M B**), Scoop (**S P**), Bright (**B R**), and Warm (**W M**) that can be selected using **Knob 1**. Bass, Midrange, and Treble parameters range from -12dB to +12dB.

**EQ Model - Knob 1** selects between 4 different EQ modes, each with different frequency

---

centers for Mid and Treble. Pressing this knob turns the EQ on and off.

**Bass - Knob 2** adjusts the amount of low end level (Bass).

**Midrange - Knob 3** adjusts the amount of midrange level.

**Mid Freq (X-Edit™ only)** - This parameter selects the frequency that the Mid parameter adjusts. Ranges from 300 Hz to 5000 Hz.

**Treble - Knob 4** adjusts the amount of high end level (Treble).

**Treble Freq (X-Edit only)** - This parameter selects the frequency that the Treb parameter adjusts. Ranges from 500 Hz to 8000 Hz.

## Noise Gate

A **Noise Gate** (GR) is designed to eliminate noise while you are not playing; this model also includes an **Auto Swell** (SW), which provides an automatic volume swell effect.

**Gate Model - Knob 1** selects between the DigiTech® noise gate or the volume swell effect. Values include: GR (Selects the noise gate) and SW (Selects the volume swell effect.) Press this knob to turn the noise gate or auto swell on and off.

**Threshold/Swell Sensitivity - Knob 2** sets the signal strength (Threshold) required to open or close the Noise Gate, or the Swell Sensitivity for the Auto Swell. Both parameters range from 0 (opens easily/high sensitivity) to 99 (requiring strong signals to open/high sensitivity).

**Attack Time - Knob 3** sets the attack time. Ranges from 0 (shorter attack time) to 99 (longer attack time).

**Release - Knob 4** sets the Release parameter. Ranges from 0 to 99.

**Attenuation (X-Edit™ only) - Knob 5** sets the Attenuation parameter. Ranges from 0 to 99.



---

## Chorus/FX

The Chorus/FX row in the RPI55 is a multi-function module, allowing you to select Effect models such as Chorus, Flanger, Phaser, Tremolo, Panner, Vibrato, Rotary Speaker, YaYa™, AutoYa™, SynthTalk™, Envelope Filter (auto wah), Detune, Pitch Shift, and Whammy™ effects. When the Chorus/FX row is selected, **Knob 1** is used to choose the Effect model. Press this knob to turn these Effect models on and off. Only one of the effects in this row can be used at a time. After selecting the type of effect in this module, **Knobs 2-4** can then be used to adjust the individual parameters associated with the selected effect. The following list describes each Effect model and its parameters in more detail:

### Chorus

A Chorus adds a short delay to your signal. The delayed signal is modulated in and out of tune and then mixed back with the original signal to create a thicker sound. The RPI55 includes the following Chorus Effect models: **CE** (based on the classic Boss® CE-2 Chorus), **DC** (DigiTech®'s Dual Chorus), and **MC** (DigiTech's famous Multi Chorus®).

**Speed - Knob 2** adjusts the rate (Speed) of the modulation. Ranges from 0 to 99.

**Depth - Knob 3** adjusts the Depth of the modulation. Ranges from 0 to 99.

**Level - Knob 4** controls the level of the effect (DigiTech Chorus models only). Ranges from 0 to 99.

**Waveform (X-Edit only for DigiTech Chorus models)** - Selects a waveform: TR, SI, or SQ (Triangle, Sine, or Square).

---

## Flanger

A Flanger uses the same principle as a Chorus but uses a shorter delay time and adds regeneration (or repeats) to the modulating delay. This results in an exaggerated up and down sweeping motion to the effect. The RP155 includes the following Flanger Effect models: *FL* (the DigiTech Flanger), and *MX* (based on an MXR® Flanger).

**Knobs 2, 3, and 4** have the following functions for the Flanger models:

Flanger Model	Knob 2 (Speed)	Knob 3 (Depth)	Knob 4 (Regen)	P5 (X-Edit™ only)	P6 (X-Edit only)	P7 (X-Edit only)
<i>FL</i>	Speed	Depth	Regen	--	Level	Waveform
<i>MX</i>	Speed	Width	Regen	Manual	--	--

## Phaser (PH)

A phaser splits the incoming signal, and then changes the phasing of the signal. This signal is then taken in and out of phase and mixed back in with the original signal. As the phasing changes, different frequencies get canceled resulting in a warm sort of twisting sound.

**Knobs 2, 3, and 4** have the following functions:

**Speed - Knob 2** adjusts the rate (Speed) of the modulation. Ranges from 0 to 99.

**Depth - Knob 3** adjusts the Depth of the modulation. Ranges from 0 to 99.

**Regeneration - Knob 4** controls the regeneration of the effect. Ranges from 0 to 99.

**Waveform (X-Edit™ only)** - Selects a waveform: *TR*, *SI*, or *SQ* (Triangle, Sine, or Square).

**Level (X-Edit only)** - Controls the level of the effect. Ranges from 0 to 99.

---

## **Vibrato** (*V B*)

A Vibrato effect modulates the pitch of the incoming signal at an even rate.

**Speed - Knob 2** adjusts the rate (Speed) at which the pitch modulates. Ranges from 0 to 99.

**Depth - Knob 3** adjusts the intensity (Depth) of the modulating pitch. Ranges from 0 to 99.

## **Rotary Speaker** (*R R*)

Rotary Speaker is an emulation of a device that included a spinning horn and woofer. The rotation of these two speakers produced an interesting combination of the sound panning from side to side. This produced a slight pitch change due to the speed of the sound coming towards, and then going away from the listener.

**Speed- Knob 2** adjusts the rate (Speed) of the spinning speakers. Ranges from 0 to 99.

**Intensity - Knob 3** controls the intensity of the effect. Ranges from 0 to 99.

**Doppler - Knob 4** controls the Pitch Shift effect that is the ratio between the horn and the rotor positions. Ranges from 0 to 99.

**Crossover (*X-Edit™ only*)**- Selects the crossover frequency between the horn and rotor. Ranges from 0 (200 Hz) to 99 (1600 Hz).

## **Tremolo** (*T R*)

A Tremolo effect modulates the volume of the signal at an even rate.

**Speed - Knob 2** adjusts the rate (Speed) at which the volume modulates. Ranges from 0 to 99.

**Depth - Knob 3** adjusts the intensity (Depth) of the modulating volume. Ranges from 0 to 99.

**Waveform - Knob 4** selects a waveform: *TR*, *SI*, or *SQ* (Triangle, Sine, or Square).

---

### **Panner** (PR)

An Auto Panner modulates the sound from left to right at an even rate.

**Speed - Knob 2** adjusts the rate (Speed) at which the signal pans from side to side. Ranges from 0 to 99.

**Depth - Knob 3** adjusts the intensity (Depth) of the changing pan. Ranges from 0 to 99.

**Waveform - Knob 4** selects a waveform: TR, SI, or SQ (Triangle, Sine, or Square).

### **Envelope Filter** (EF)

The Envelope Filter is a dynamic Wah effect that alters your sound based upon how hard you play.

**Sensitivity - Knob 2** adjusts the sensitivity or the input signal required to trigger the Wah effect. Ranges from 0 to 99.

**Range - Knob 3** controls the range of the Envelope effect. Ranges from 0 to 99.

### **AutoYa™** (AY)

An AutoYa combines the characteristics of a Wah and a Flanger together creating an almost human vowel characteristic as if the guitar were saying “Yah.” The AutoYa™ automatically provides this animation to the sound at an even rate.

**Speed - Knob 2** adjusts the speed of the AutoYa sweep. Ranges from 0 to 99.

**Intensity - Knob 3** adjusts the intensity of the AutoYa effect. Ranges from 0 to 99.

**Range - Knob 4** adjusts the throaty quality of the AutoYa effect. Ranges from 0 to 49.

---

## Step Filter (SF)

The Step Filter is like an automatic “random wah” with a square waveform.

**Speed - Knob 2** adjusts the speed of the Wah effect. Ranges from 0 to 99.

**Intensity - Knob 3** controls the intensity of the Wah effect. Ranges from 0 to 99.

## DigiTech Whammy™ (WH)

The DigiTech Whammy™ is an effect that uses an Expression Pedal to bend the pitch of the incoming signal, or add a bendable harmony with the original signal. As the Pedal is moved, the note bends either up or down. When DigiTech Whammy is selected, it is automatically placed before the Amp modeling as shown in the block diagram on page 19.

**Shift Amount - Knob 2** selects the interval and direction of the pitch bend. Choices are as follows:

### Whammy™ (no Dry Signal)

- 0U (1 octave above)
- 20 (2 octaves above)
- 2D (a second below)
- D2 (a second below reversed pedal action)
- 4D (a fourth below)
- 0D (an octave below)
- 02 (2 octaves below)
- DD (Dive Bomb)

### Harmony Bends (Dry Signal Added)

- M3 (a minor third to a Major third)
- 23 (a second above to a Major third above)
- 34 (a third above to a fourth above)
- 45 (a fourth above to a fifth above)
- 50 (a fifth above to an octave above)
- HU (one octave above)
- HD (one octave down)
- UD (octave up/down)

**Pedal Position - Knob 3** provides a manual control of the Whammy pedal position. Ranges from 0 to 99.

**Mix - Knob 4** adjusts the Whammy mix. Ranges from 0 to 99.

---

### Pitch Shift (P5)

A Pitch Shifter copies the incoming signal, then shifts the pitch of the copy to a different note. The shifted note is then mixed back with the original signal, sounding as if two guitars were playing different notes.

**Shift Amount - Knob 2** selects the interval of the shifted pitch. Ranges from -24 (2 octaves below) to 24 (2 octaves above).

**Mix - Knob 4** controls the mix level of the shifted pitch. Ranges from 0 to 99.

### Detune (D7)

A Detuner makes a copy of your incoming signal, takes the copied signal slightly out of tune from the original, then mixes the two signals together. The result is a doubling type of effect as if two guitars were playing the same part together.

**Shift Amount - Knob 2** adjusts the amount of pitch difference applied to the copied signal. Ranges from -24 to 24 cents.

**Level - Knob 4** controls the mix of the detuned note. Ranges from 0 to 99.

---

## Harmony Pitch Shifting (HP)

Harmony Pitch Shifting makes a copy of the incoming signal, and then changes the pitch of the copied note to a diatonically correct interval specified by the Amount parameter. A Harmony Pitch Shifter sharpens or flattens the shifted pitch in order to keep the specified interval within the selected key and scale creating a true harmony.

**Shift - Knob 2** selects the *amount* or *harmony interval* for the Harmony Pitch Shifter. Interval choices include:

00	(octave down)	20	(a second above)
10	(a seventh below)	30	(a third above)
20	(a sixth below)	40	(a fourth above)
30	(a fifth below)	50	(a fifth above)
40	(a fourth below)	60	(a sixth above)
50	(a third below)	70	(a seventh above)
60	(a second below)	00	(an octave above)

**Key - Knob 3** selects the musical key that the IPS uses. Key choices range from the Key of E (E) through the Key of Eb (Eb).

**Scale - Knob 4** selects the scale the IPS will use. Scale choices include: Major (M), Minor (m), Dorian (D), Mixolydian (M<sup>x</sup>), Lydian (L<sup>y</sup>), and Harmonic Minor (HM).

**Level (X-Edit™ only)** - Adjusts the IPS Level of all the pitch-altering effects in this module. Ranges from 0 to 99.

---

## Delay

Delay is an effect that will record a portion of the incoming signal, and then play it back a short time later. The recording can repeat just once or several times.

**Delay Model - Knob 1** selects one of the 5 different Delay models. Values include: *A* (DigiTech® Analog Delay), *D* (DigiTech Digital Delay), *M* (DigiTech Modulated Delay), *P* (DigiTech Pong Delay), and *T* (DigiTech Tape Delay). Press this knob to turn the Delay models on and off.

**Knobs 2, 3, and 4** have the following functions for the various Delay models:

Delay Model	Knob 2 (Time)	Knob 3 (Repeats)	Knob 4 (Level)	P4 (X-Edit™ only)	P5 (X-Edit only)
<i>A</i>	Time	Repeats	Delay Level	--	--
<i>D</i>	Time	Repeats	Level	Duck Thresh	Duck Level
<i>M</i>	Time	Repeats	Delay Level	Depth	--
<i>P</i>	Time	Repeats	Delay Level	Duck Thresh	Duck Level
<i>T</i>	Time	Repeats	Level	Wow	Flutter



---

## Reverb

Using reverb in recorded program material gives the listener a sense that the material is being performed in an actual room or hall. It is this similarity to actual acoustic spaces that makes reverberation a useful tool in recorded music. The RPI55 features genuine Lexicon® reverbs, whose rich, lush effects have been heard in countless songs, soundtracks, and live performances for decades.

### Reverb Model

**Knob 1** selects the Reverb model or acoustic space. Press this knob to turn the Reverb models on and off. The following models are available:

*SP* - Based on a Fender®  
Twin Reverb

*AM* - Lexicon® Ambience

*ST* - Lexicon Studio

*RD* - Lexicon Room

*HA* - Lexicon Hall

*PL* - Based on an EMT240 Plate

Reverb Model	Knob 2 (Decay)	Knob 3 (Liveliness)	Knob 4 (Reverb Level)	P4 (X-Edit™ only)
<i>SP</i>	--	--	Reverb	--
<i>AM</i>	Decay	Liveliness	Reverb Level	Predelay
<i>ST</i>	Decay	Liveliness	Reverb Level	Predelay
<i>RD</i>	Decay	Liveliness	Reverb Level	Predelay
<i>HA</i>	Decay	Liveliness	Reverb Level	Predelay
<i>PL</i>	Decay	Liveliness	Reverb Level	Predelay

---

## Section Four - Other Functions

### Phrase Looper

The RPI55 features a built-in 20 second Phrase Looper for creating on the fly performance loops of the music you play. The Phrase Looper can be accessed any time during performance and used with any of the RP's presets. To use the Phrase Looper, follow these steps:

1. Press and hold the left **Down Footswitch** for 2 seconds until  $L^P$  appears in the display. The LOOPER LED in the matrix will also light indicating the Looper is now active.
2. Arm the Phrase Looper to record by pressing the **Down Footswitch** again. The display will read  $RR$  meaning it is armed and ready for you to start playing (You can also start recording immediately when this footswitch is pressed).
3. Begin playing a phrase on the guitar. The Phrase Looper will begin recording anything that is played. The display will read  $RL$ .
4. Once you are ready to set the loop point, press any footswitch. The display will briefly read  $PL$  and the recorded phrase will now begin playing back.
5. To add an overdub to the looped phrase, press and hold the left **Down Footswitch**. The display will read  $UU$ . While pressing down the **Down Footswitch**, begin playing the overdub phrase to be added to the loop. When the **Down Footswitch** is released, the display will briefly flash  $PL$  and the looped phrase will continue with the newly added overdub phrase added.
6. To stop the Phrase Looper, press and release the left **Down Footswitch** quickly. You can resume playback by pressing this footswitch again.
7. To clear a recorded loop, stop the loop playback first as outlined in step 6 and then press and hold left **Down Footswitch** for 2 seconds until the display reads  $LL$ .
8. To exit the Phrase Looper mode, press and hold left **Down Footswitch** for 4 seconds until the display reads  $LE$  and then returns to the preset number display.

While the Phrase Looper is active, the left **Down Footswitch** cannot be used to select presets. The right **Up Footswitch** can still be used to navigate through all of the RP's presets. To select the next preset up, press the right **Up Footswitch** quickly to advance to the next preset. To select a previous preset, press and hold the right **Up Footswitch** and the presets will slowly scroll backwards until the footswitch is released.

**Note:** The RP155's Drum Machine is not available when the Phrase Looper is active.

## Drum Machine

The RP155 includes a built-in drum machine loaded with 60 useful patterns including a metronome setting that are easily accessible at the touch of a button (the **Drums** button, specifically). Pressing the **Drums** button will enable the drum machine and start playback of the selected drum pattern (except when in Store or Bypass mode). When the **Drums** row is selected (using the **Edit** buttons), **Knob 1** scrolls through the first patterns for each drum style, **Knob 2** scrolls through all the drum patterns, **Knob 3** adjusts the Tempo of the drum pattern and **Knob 4** adjusts the Level of the drum pattern. Press the **Drums** button again to stop playback of the drum loop.

### Drum Pattern List

Beats (BE) (8th beat)	B1 - B5	Jazz (JZ)	J1 - J4
Beats (BE) (16th beat)	B6 - B8	Hip Hop (HH)	P1 - P4
Rock (RK)	R1 - R8	World (WD)	W1 - W4
Hard Rock (HR)	H1 - H8	Metronome (MT) (4/4)	M4
Metal (ME)	T1 - T8	Metronome (MT) (3/4)	M3
Blues (BL)	L1 - L8	Metronome (MT) (5/8)	M5
Groove (GR)	G1 - G4	Metronome (MT) (7/8)	M7
Country (CT)	C1 - C4	Metronome (MT)	ME

---

## **Optional Passive Volume/Continuous Control Pedal**

Connect a passive volume or continuous control pedal to the RPI55's **Control In** jack to control the RPI55's Volume, Wah, or Whammy™ in real time with your foot. Turn on the Wah or Whammy to control it with the optional pedal, or turn on both the Wah and the Whammy to control both simultaneously. When a pedal is connected and neither the Wah nor the Whammy effects are activated, the pedal controls the RPI55's volume by default.

## **Factory Reset**

This function resets the RPI55 to its original factory settings. This procedure erases all custom User presets.

**ATTENTION: Performing this function will erase all user-programmed data. All such data will be lost forever! Be sure you want to erase the memory and start fresh before continuing with this procedure.**

The procedure for performing a Factory Reset is as follows:

1. Press and hold the **Store** button while powering up the RPI55.
2. When the display prompts you with  $FR$ , release the **Store** button, which is now flashing.
3. Press and hold the flashing **Store** button for 3 seconds until  $RS$  appears in the display and release. **The Factory Reset procedure takes approximately 10 seconds.**

### **Specifications**

#### **General Specifications**

A/D/A Converter: 24-bit high performance audio

Sampling Frequency: 44.1 kHz

DSP Section: AudioDNA2™ DSP Processor

Simultaneous Effects: 11

Preset Memory: 50 User Presets (1-50) / 50 Factory Presets (51-00)

Phrase Looper: 20 seconds of record time

Drum Machine: 60 Patterns

Shipping Dimensions: 10 1/2" Length x 8 3/4" Width x 2 1/2" Height

Shipping Weight: 3.34 lbs.

#### **Analog Input Connections:**

Guitar Input: 1/4" Unbalanced (TS)

Input Impedance: 500k Ohms

Control In: 1/4" Unbalanced

#### **Analog Output Connections:**

Left/Right Outputs: 1/4" Unbalanced

Left/Right Output Impedance: 500 Ohms per side

Maximum Output: +10dBu

Headphones: 1/8" Stereo (TRS) – 13.6mW per channel @ 50 Ohms

---

**Digital Connections:**

Universal Serial Bus (USB): Type B, supports USB 1.1 Full Speed (12 Mbps Bandwidth USB 2.0 compatible)

**RP155 USB Recording Specifications:**

Sample Rate: 44.1 kHz

Bit depth: supports 16-bit or 24-bit (depends on setup in Recording Software)

**Power Requirements:**

US and Canada: 120 VAC, 60 Hz Adapter: PS0913B-120

Japan: 100 VAC, 50/60 Hz Adapter: PS0913B -100

Europe: 230 VAC, 50 Hz Adapter: PS0913B -230

UK: 240 VAC, 50 Hz Adapter: PS0913B -240

**Minimum Windows® PC Computer System Requirements:**

Windows® XP w/Service Pack 2 and .NET Framework 2.0 installed

500 MHz processor speed (1.2 GHz recommended)

512 MB RAM (1GB recommended)

**Minimum Mac Computer System Requirements:**

OS 10.4 or higher

Power PC or Intel® G4/G5 Processor

800 MHz processor speed (1.2 GHz recommended)

512 MB RAM (1GB recommended)

## Tone Library

1	Overdrive	16	Rock Wah
2	Rock 1	17	Chunky
3	Rock 2	18	Smooth
4	Blues 1	19	Heavy
5	Blues 2	20	Clean 1
6	Metal 1	21	Clean 2
7	Metal 2	22	British 1
8	Country 1	23	British 2
9	Country 2	24	American 1
10	Warm Drive	25	American 2
11	Crunch	26	Tube Drive
12	Texas Tone	27	Distortion
13	Rockabilly	28	Scooped
14	Solo 1	29	Punchy
15	Solo 2	30	Bright Clean

## Effects Library

---

1	Chorus	16	Chorus + Digital Delay
2	Phaser	17	Chorus + Delay + Reverb
3	Flanger	18	Flanger + Analog Delay
4	Pitch	19	Phaser + Tape Delay
5	Tremolo	20	Phaser + Mod Delay
6	Rotary	21	Phaser + Room Reverb
7	Envelope Filter	22	Digital Delay + Hall Reverb
8	Digital Delay	23	Analog Delay + Spring
9	Analog Delay	24	Chorus + Hall Reverb
10	Pong Delay	25	Pong Delay + Hall Reverb
11	Mod Delay	26	Tape Delay + Spring Reverb
12	Tape Delay	27	Tremolo + Tape Delay
13	Hall Reverb	28	Pitch + Digital Delay
14	Plate Reverb	29	Mod Delay + Plate Reverb
15	Spring Reverb	30	Rotary + Tape Delay









DigiTech®  
8760 South Sandy Parkway  
Sandy, Utah 84070  
PH (801) 566-8800  
FAX (801) 566-7005  
<http://www.digitech.com>

DigiTech® is a registered trademark  
of Harman

Copyright - Harman

Printed in China  
RP155 Owner's Manual 18-6409V-B

DigiTech, Production Modeling, Grunge, Death Metal, DOD, DigiTech Whammy, Multi-Chorus, Ya Ya, Johnson Amplification and AudioDNA2 are trademarks of Harman. Fender Tweed Deluxe, Fender Blackface Twin Reverb, Fender Twin Reverb, Marshall Super Lead, Marshall Slant, Marshall Master Volume, Marshall Straight, Vox AC30, Mesa Boogie, Dunlop Cry Baby, Vox Clyde McCoy Wah, Ibanez Tube Screamer, Boss DS-1, Electro-Harmonix Big Muff are products of DigiTech's competitors and trademarks of their respective companies in the U.S. and other countries and are not associated or affiliated with DigiTech or Harman.  
Copyright - Harman. All rights reserved.